

## SKY uni.fit



The laboratory-made abutment system

## As individual as nature

Each patient case involves individual demands and requirements which can be most easily fulfilled using restorations especially fabricated for the individual person. Individual design, however, does not start with crowns and bridges but already with the abutment.

While other manufacturers prefer industrial production including considerable technical and logistical efforts in remote milling centers, bredent medical offers dental laboratories the possibility to fabricate individual abutments for the SKY implant system. A comprehensive and full system is available for dental technicians to fabricate individual abutments themselves and hence to make sure that added value remains in their laboratories.



Dr. Alius, Dr. Gresskowski

## The systematic way to success



The secret of success lies in the system concept. A perfectly designed abutment and materials which accelerate processes and hence facilitate work for the user, reduce costs and increase the reliability.

SKY uni.fit represents the basis for modelling with the light-curing composite compoForm UV. The surface that is subsequently finished with the light-curing wax adhesive SERACOLL UV helps to facilitate further processing required for the fabrication of the individual abutment.



## Individual Abutment SKY uni.fit - Clinical case

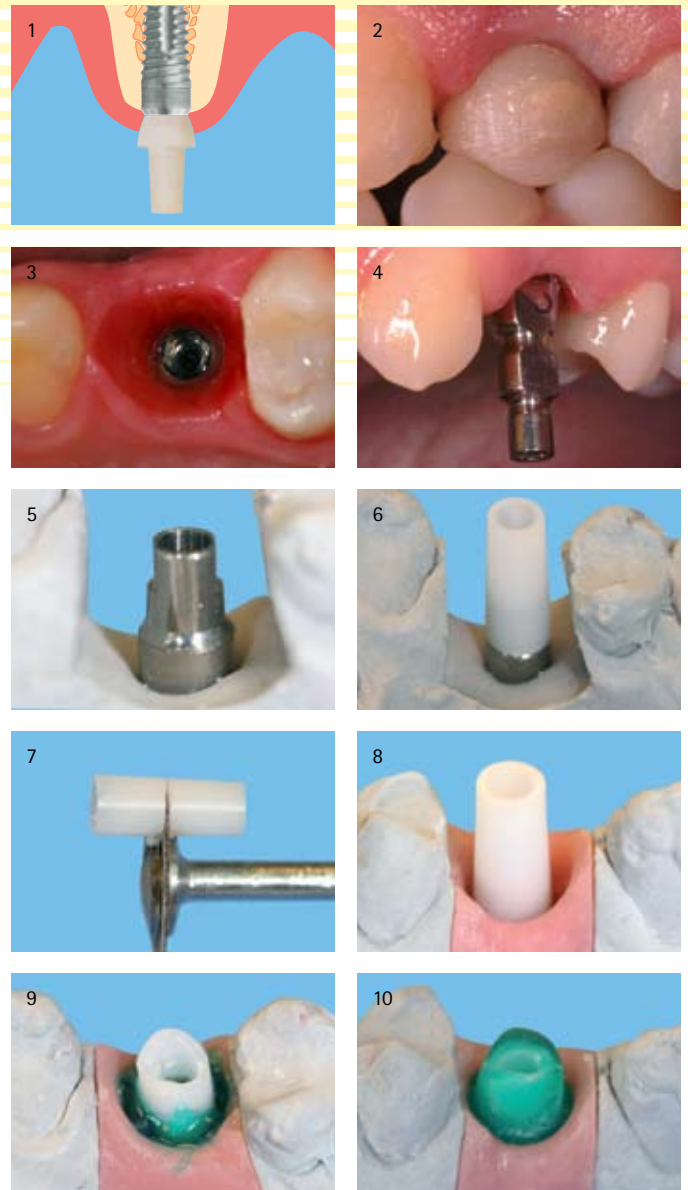
The blueSKY implant is placed at bone level. Thanks to its osseo connect surface (ocs®), it is also perfectly suitable for immediate restorations (fig. 1).

In this case a temporary restoration was fabricated on SKY temp after healing to condition the emergence profile to achieve optimal red-white esthetics (fig. 2-3).

Then a closed impression was taken. The design of the SKY impression abutment ensures reliable repositioning (fig. 4).

The adhesive base is screwed on the model. Then the modelling sleeve is attached and reduced in height (fig. 5-8).

A stable model of the individual shape of the abutment can be easily and quickly obtained through the use of compoForm UV (fig. 9-10).



**MDT Bernhard Stühler**  
(Nürnberg)

What I like most is the fact that a comprehensive system has been developed and not just a single abutment. I can easily build up the shape of the abutment with the light-curing composite compoForm UV and smoothen the surface with SERACOLL UV later on. We frequently use the possibility of try-in in situ to further optimize the design/shape before the fabrication the definitive restoration. In our laboratory we use a CAD/CAM system to fabricate the individual zirconium abutment which is luted to the titanium base after conditioning.

## Individual Abutment SKY uni.fit - Clinical case

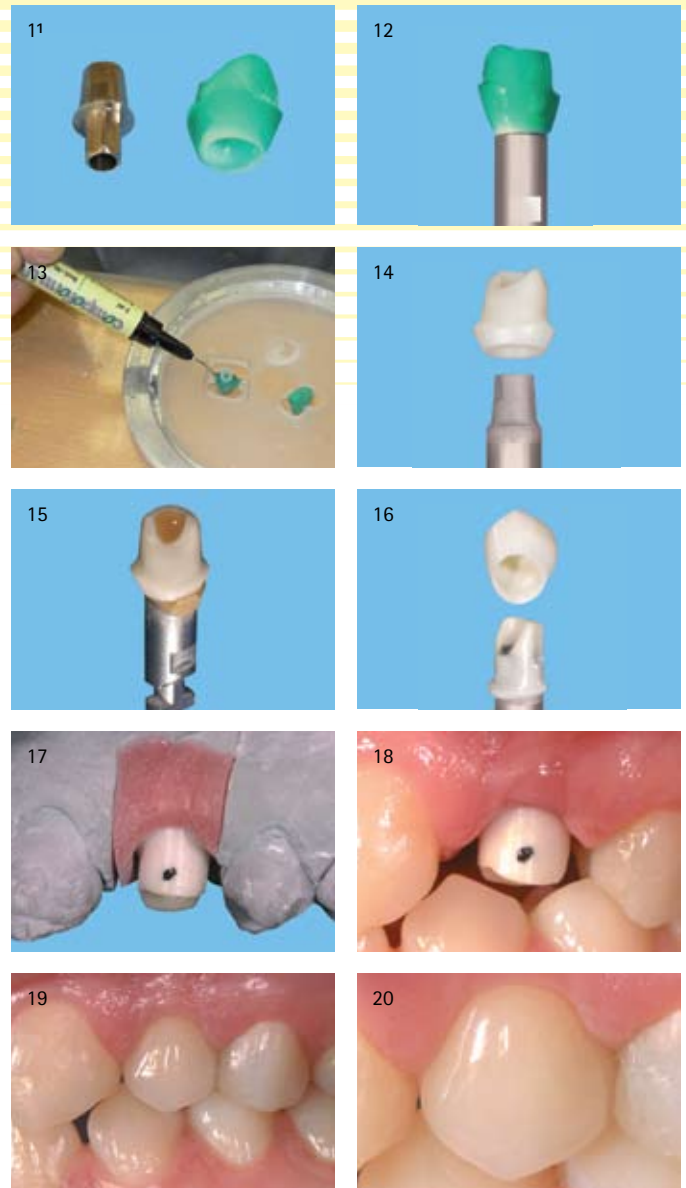
The rough and dark compoForm UV surface is perfectly suitable for scanners. The model can be finished with SERACOLL UV to ensure gentle sensing with copy milling units or to achieve a smooth surface of the casting (fig. 11-12).

In the next step the individual abutment is prepared using the desired fabrication method - in this case the 5-motions copy milling unit. compoForm UV is used to fix the model quickly and safely to the base plate (fig. 13).

The surfaces are sandblasted and conditioned with the Silano-Pen prior to adhesive bonding (fig. 14). Luting is carried out using a suitable metal-zirconium adhesive (fig. 15).

The crown is fabricated in the standard dental-technical procedure (fig. 16).

The individual abutment features perfect positioning of the shoulder to support the gingiva and avoids the penetration of cement residues into the pockets. As a result, natural red-white esthetics is achieved, which exceeds the expectations of the patient (fig. 17-20).



**Dr. Jochen Alius**  
(Nürnberg)



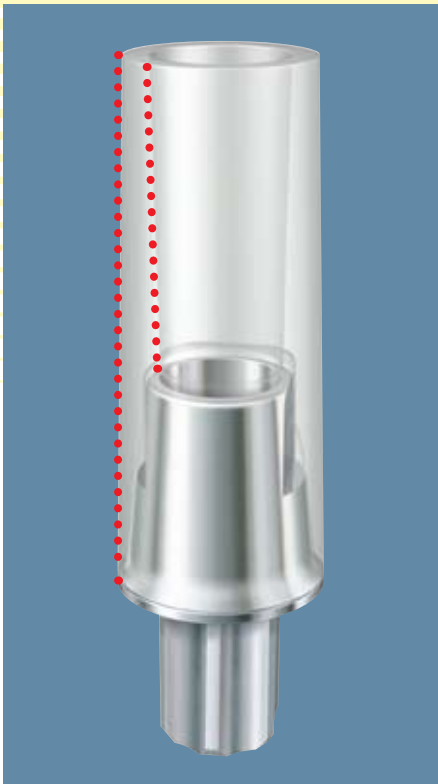
**Dr. Anne Gresskowski**  
(Nürnberg)

The SKY uni.fit abutment offers us a therapeutic concept to achieve excellent red-white esthetic in a very reliable manner. The concept includes conditioning of the soft tissue after the extraction, sulcus design with SKY temp for the temporary restoration and the esthetically designed restoration with an individual abutment based on SKY uni.fit.

### Literature:

A complete documentation of this case can be found in the book: *Einführung in die zahnärztliche Implantologie - Ein Wegweiser der modernen Implantatprothetik*. Prof. (NY) Manfred Lang - Spitta Verlag

## Laboratory-made esthetics



SKY uni.fit – universal in the fabrication technique and in the material - adapts to each clinical situation. The SKY uni.fit Abutment consists of a titanium insert, a modelling sleeve and the standard screw included in the SKY system.

The titanium insert as an adhesive base

- The interface to the implant is made of titanium grade 4 (industrially manufactured) and hence features utmost precision for a durable implant-abutment connection.
- The patented 1° cone allows reliable scanning.
- The protection against rotation ensures a stable position during luting (adhesive bonding).

Plastic sleeve

- The plastic sleeve made of PMMA facilitates modelling of the abutment.
- The 1° cone allows reliable scanning of the screw canal.
- The 1° cone of the screw canal reduces the risk of fracture of instruments

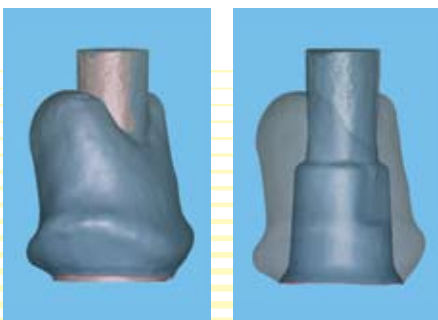
Thanks to the perfect adhesive bond, SKY uni.fit is suitable for all materials and manufacturing techniques:

- CAM or CAD/CAM
- Copy milling
- Sinter technique
- Casting technique

Abutments with individual designs are obtained to form the basis to satisfy even very demanding patients.

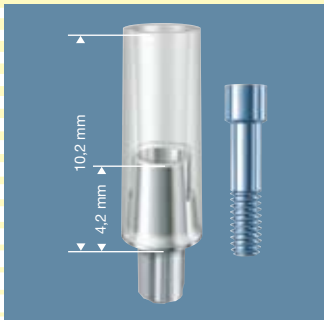


5-motions copy milling unit



Individual abutment scanned in a CAD/CAM system

## Information on ordering



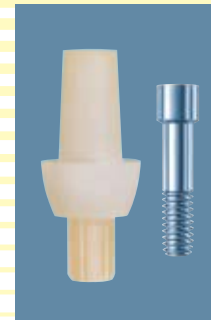
**SKY uni.fit Abutment**

REF SKYUFA00



**SKY temp S (small)**

REF SKYTEMPS



**SKY temp M (medium)**

REF SKYTEMPM



**SKY temp L (large)**

REF SKYTEMPL

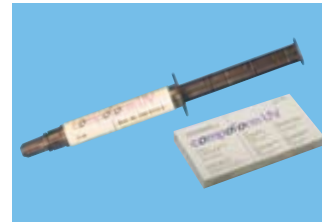
## Treatment concepts with SKY uni.fit



**5-motions-mill**

Milling arm seated on radial rail guide incl. accessories\*, 230 volts  
1 piece

REF 360 1000 0



**compoForm UV**

2 x 3 ml syringes  
10 application cannulas

REF 540 0115 0



**5-motions-zircon 6/16**

Zirconium blank, small  
16 mm high  
3 pieces

REF 360 1061 6

**5-motions-zircon 6/20**

Zirconium blank, small  
20 mm high  
3 pieces

REF 360 1062 0



**SERACOLL UV**

light-curing wax adhesive  
2 x 3 ml  
2 Trays

REF 540 0115 1



**5-motions-zircon 10/16**

Zirconium blank, medium  
16 mm high  
2 pieces

REF 360 1101 6

**5-motions-zircon 10/20**

Zirconium blank, medium  
20 mm high  
2 pieces

REF 360 1102 0



**Assortment - Silano-Pen**

1 Silano-Pen  
1 gas cartridge  
2 x 2.5 ml bonding agent  
1 brush holder, straight  
100 disposable brushes  
1 plastic cup  
3 cleaning brushes

REF 320 0047 0



**5-motions-zircon 14/16**

Zirconium blank, large  
16 mm high  
1 piece

REF 360 1141 6

**5-motions-zircon 14/20**

Zirconium blank, large  
20 mm high  
1 piece

REF 360 1142 0

We would like to thank our reference dentists Dr. Jochen Alius, Dr. Anne Gresskowski and Mr. Bernhard Stühler, Master Dental Technician, for their assistance in the preparation of this brochure.

